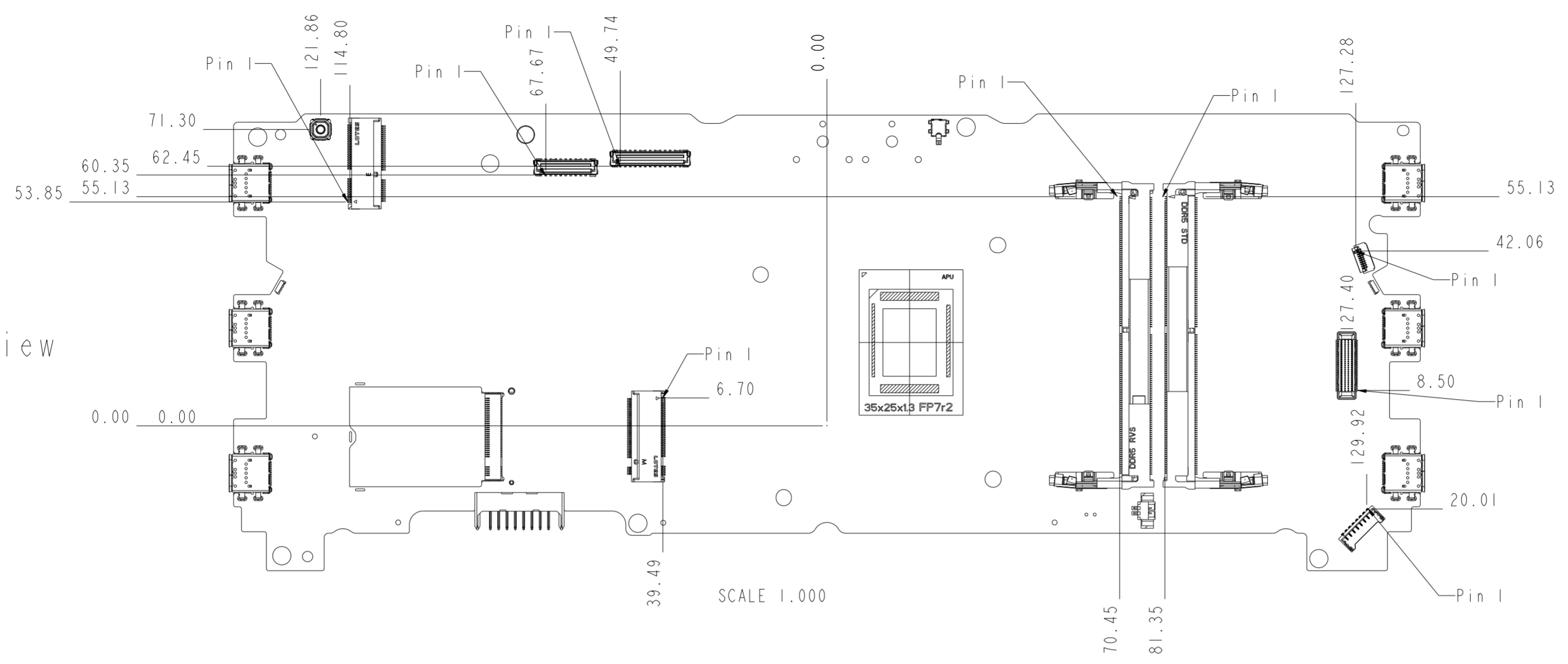
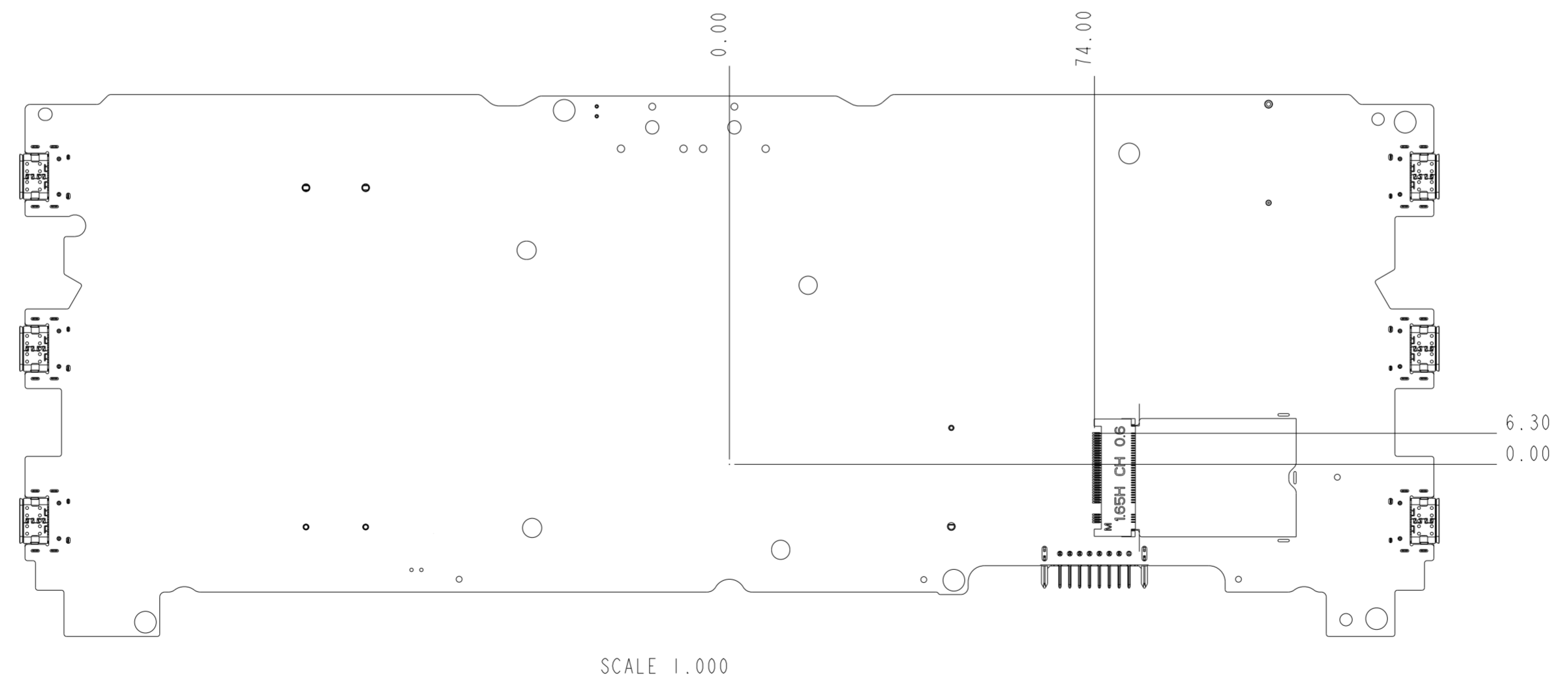


REV	DESCRIPTION OF CHANGE	REV BY	DATE

Top view



Bottom view



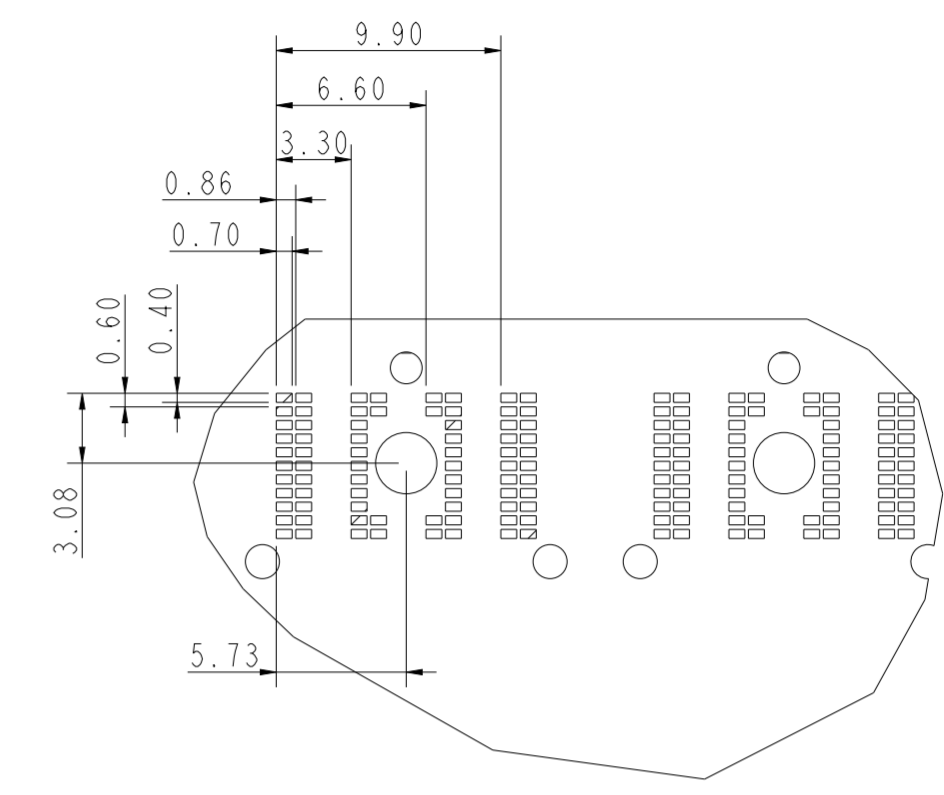
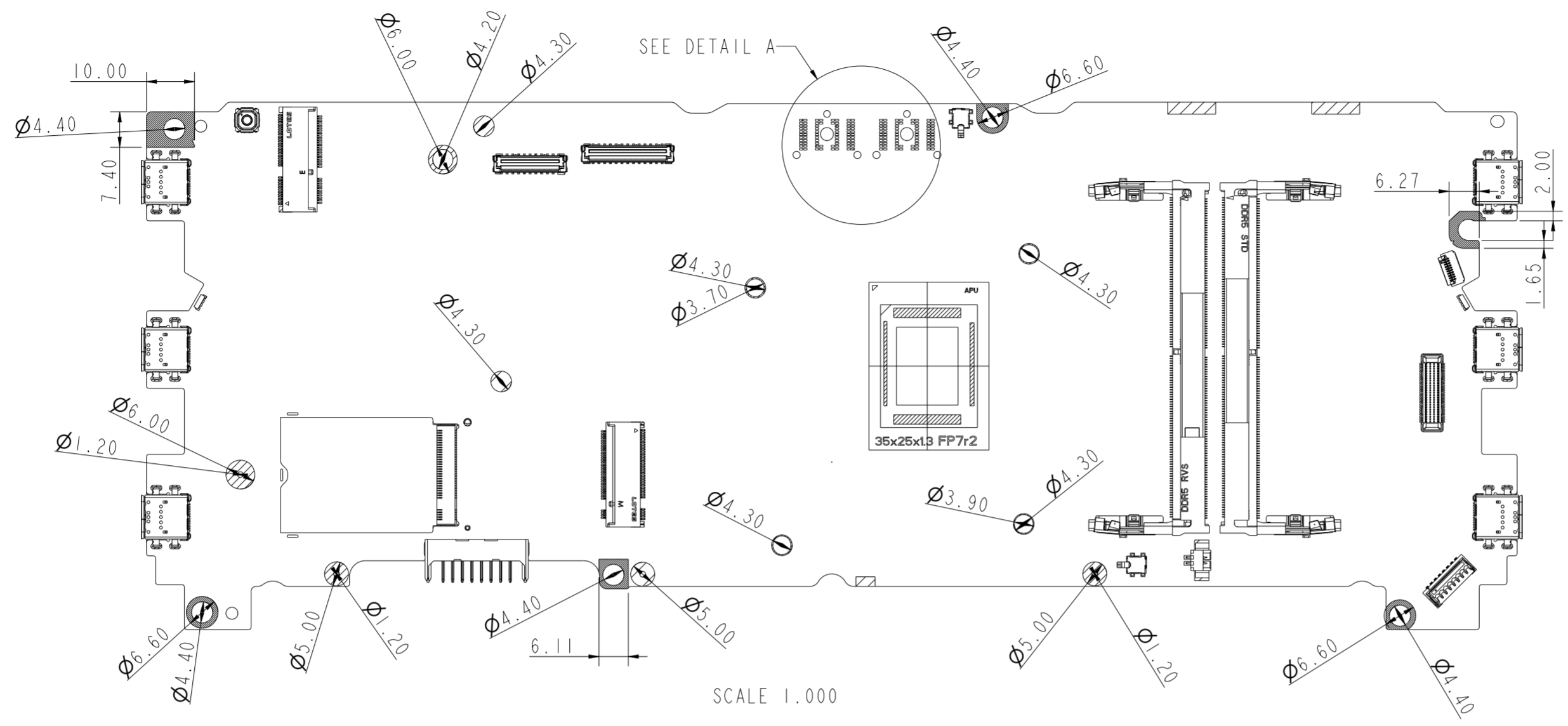
Pin 1 Location

UNLESS SPECIFIED TOLERANCE ARE:
 300 ABOVE : ± 0.20
 300 ≥ X ≥ 150 : ± 0.15
 150 > X ≥ 50 : ± 0.10
 50 > X ≥ 20 : ± 0.075
 20mm BELOW : ± 0.05
 ANGLES : ± 1°
 FLATNESS : ± 0.20
 CONCENTRICITY : ± 0.05

PART NUMBER	DESCRIPTION	SPECIFICATION
Laptop 16	DESIGNED BY	DRAWN BY
MODEL	CHECKED BY	APPROVED BY
THIRD ANGLE PROJECTION	ISSUED DATE	SCALE UNIT
	Jan-30-24	1 mm
	DRAWING FILE NAME	
	Laptop 16 Main Board	
SIZE	SHEET	REVISION VERSION
A2	2 OF 7	0 0

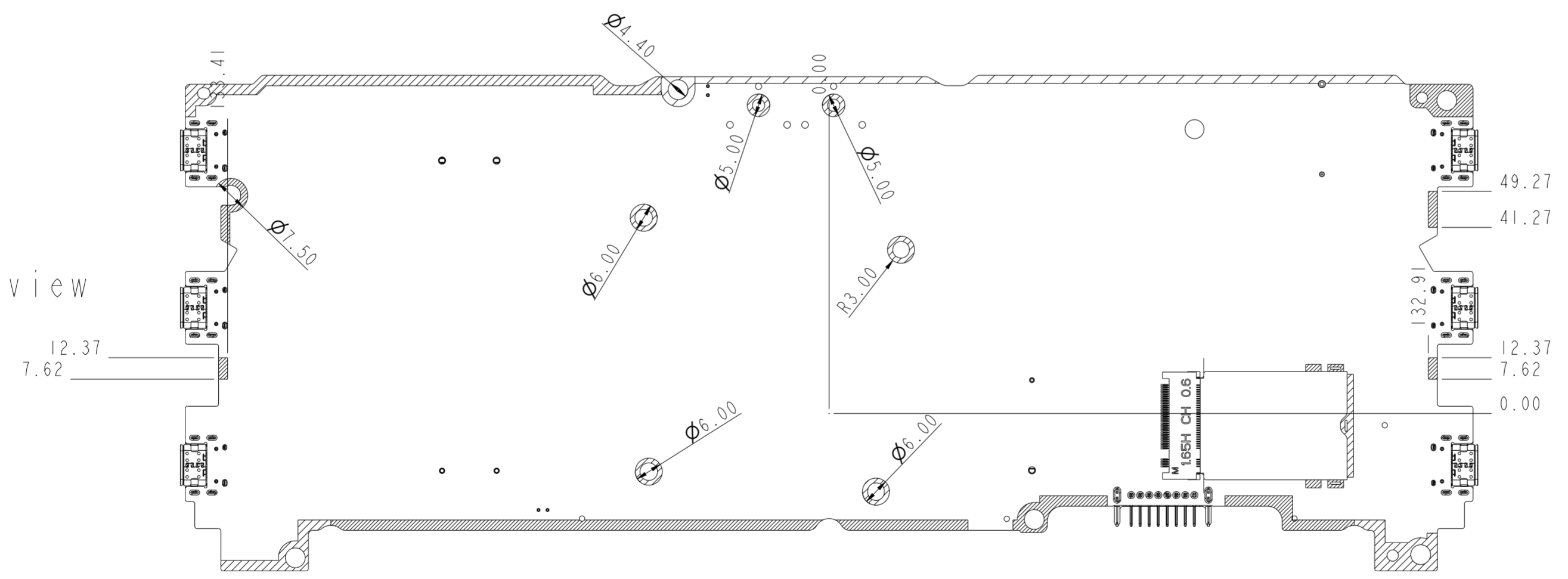
REV	DESCRIPTION OF CHANGE	REV BY	DATE

Top view

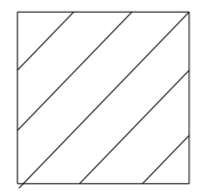


DETAIL A
SCALE 3.000

Bottom view



GND Pad area



UNLESS SPECIFIED TOLERANCE ARE:
 300 ABOVE : ± 0.20
 300 \geq X \geq 150 : ± 0.15
 150 $>$ X \geq 50 : ± 0.10
 50 $>$ X \geq 20 : ± 0.075
 20mm BELOW : ± 0.05
 ANGLES : $\pm 1^\circ$
 FLATNESS : $\square 0.20$
 CONCENTRICITY : ± 0.05

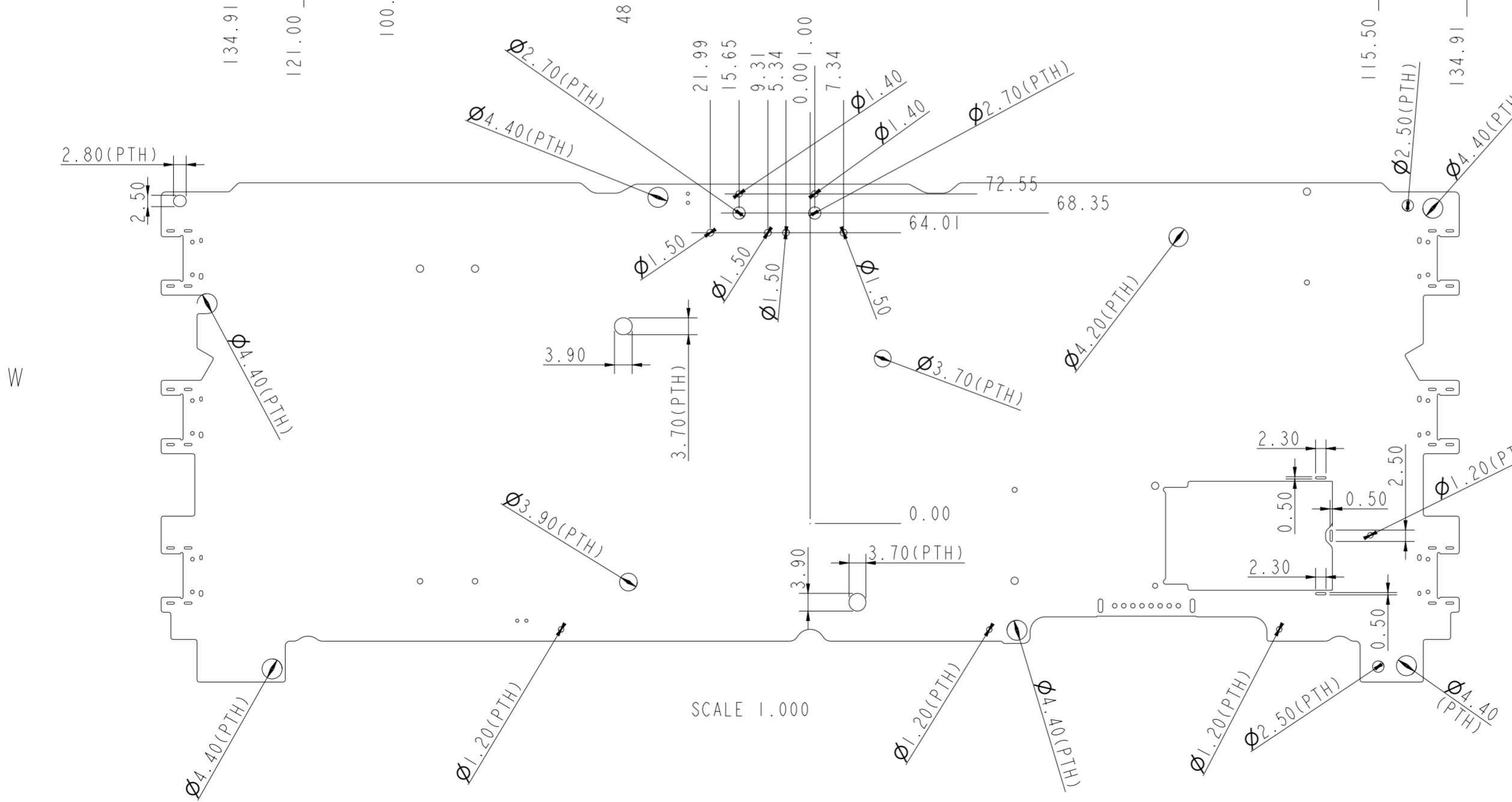
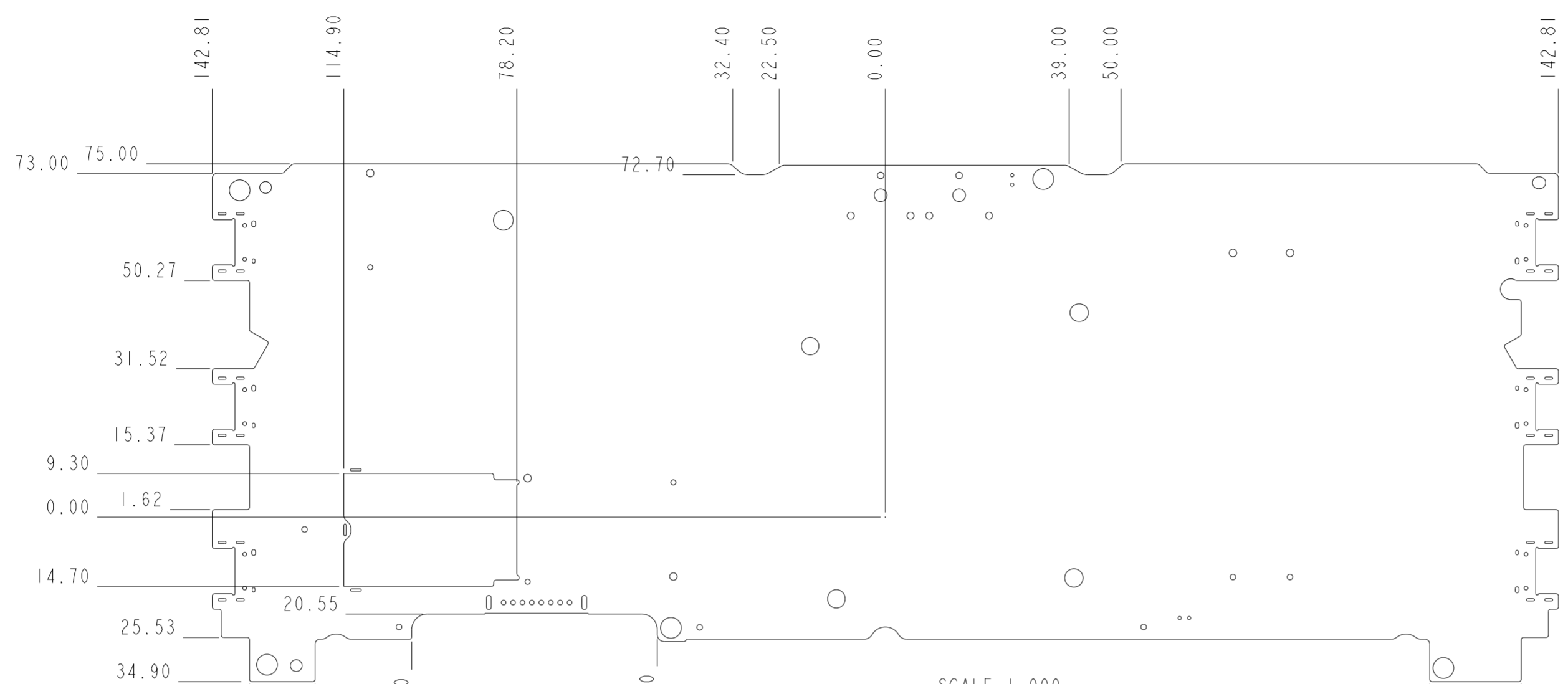
PART NUMBER	DESCRIPTION	SPECIFICATION
Laptop 16	DESIGNED BY	DRAWN BY
MODEL	CHECKED BY	APPROVED BY
THIRD ANGLE PROJECTION	ISSUED DATE	SCALE UNIT
	Jan-30-24	1.000 mm
	DRAWING FILE NAME	
	Laptop 16 Main Board	
SIZE	SHEET	REVISION VERSION
A2	4 OF 7	0 0

REV	DESCRIPTION OF CHANGE	REV BY	DATE

Top view

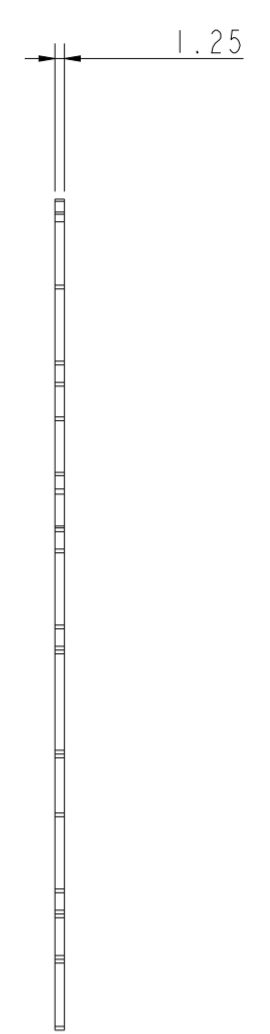
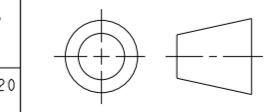
Bottom view

Outline



PART NUMBER	DESCRIPTION	SPECIFICATION
Laptop 16	DESIGNED BY	DRAWN BY
MODEL	CHECKED BY	APPROVED BY
THIRD ANGLE PROJECTION	ISSUED DATE	SCALE UNIT
	Jan-30-24	1:000 mm
	DRAWING FILE NAME	
	Laptop 16 Main Board	
SIZE	SHEET	REVISION VERSION
A2	5 OF 7	0 0

UNLESS SPECIFIED TOLERANCE ARE:
 300 ABOVE : ± 0.20
 300 ≥ X ≥ 150 : ± 0.15
 150 > X ≥ 50 : ± 0.10
 50 > X ≥ 20 : ± 0.075
 20mm BELOW : ± 0.05
 ANGLES : ± 1°
 FLATNESS : ± 0.20
 CONCENTRICITY : ± 0.05



SCALE 1.000

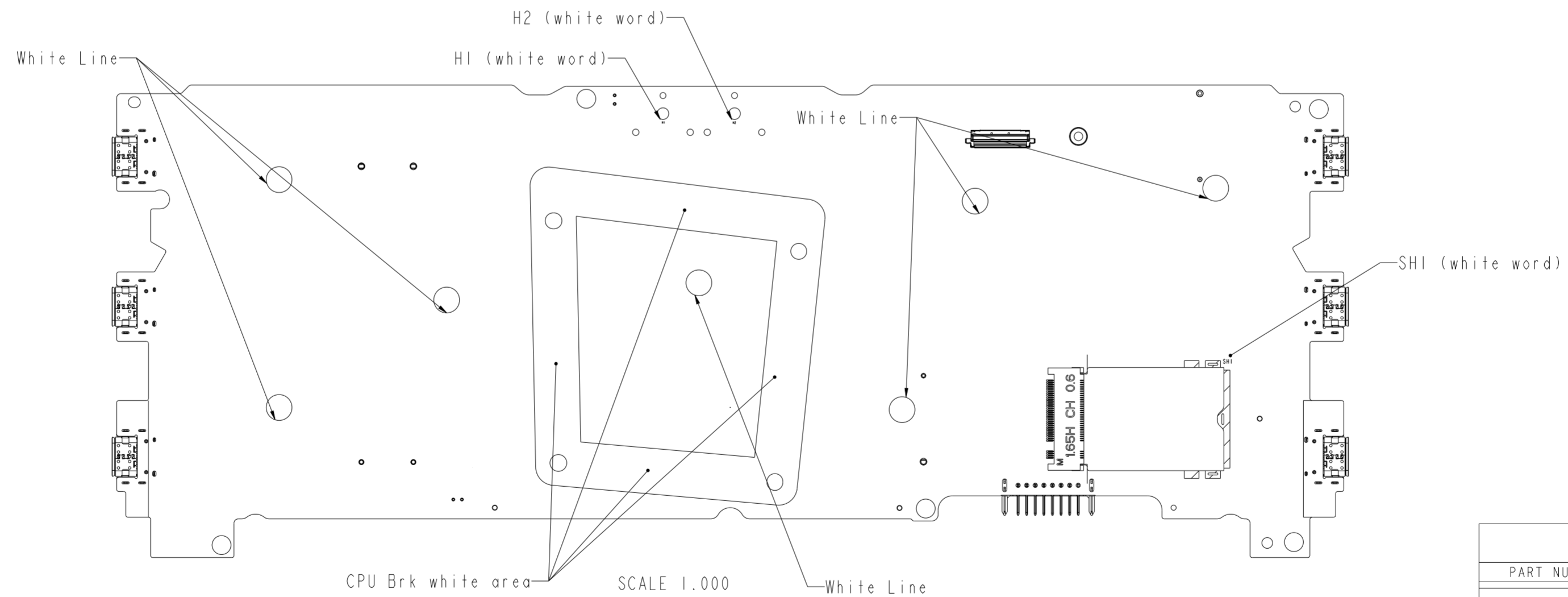
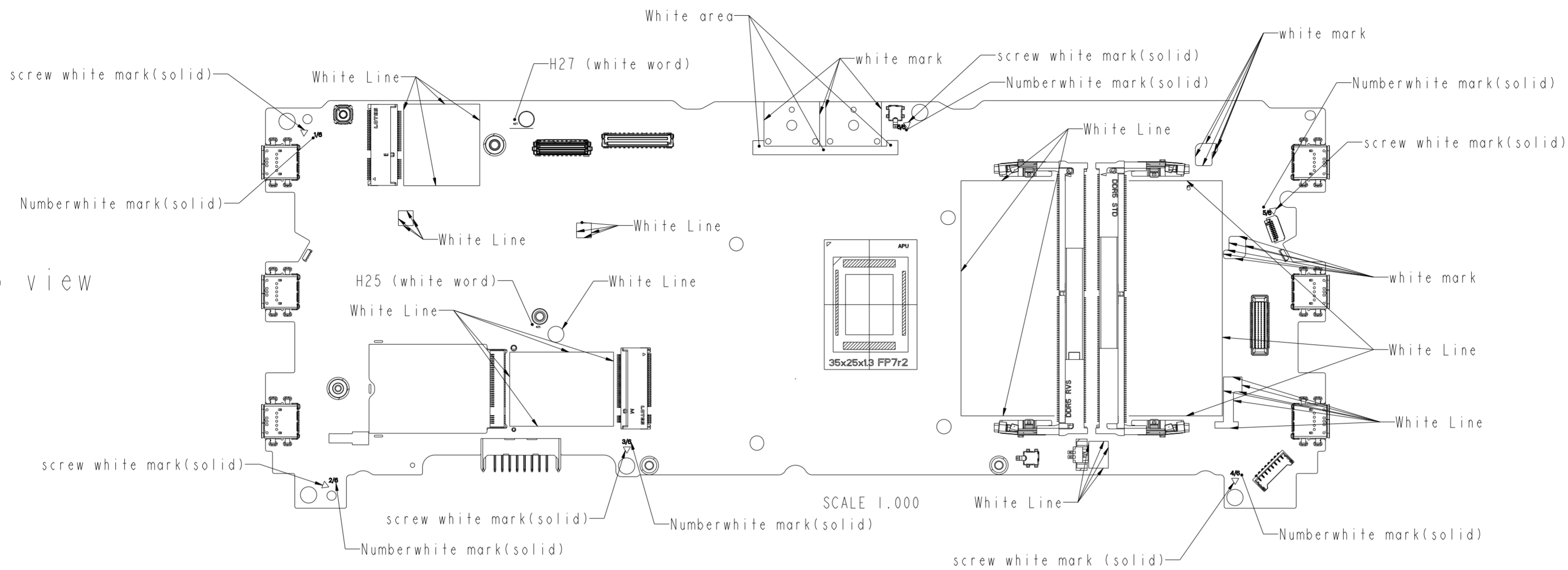
SCALE 1.000

REV	DESCRIPTION OF CHANGE	REV BY	DATE

Top view

Bottom view

White Painting line

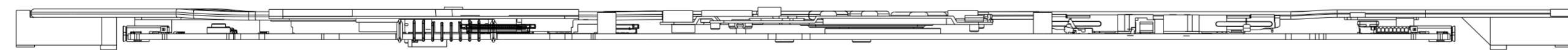
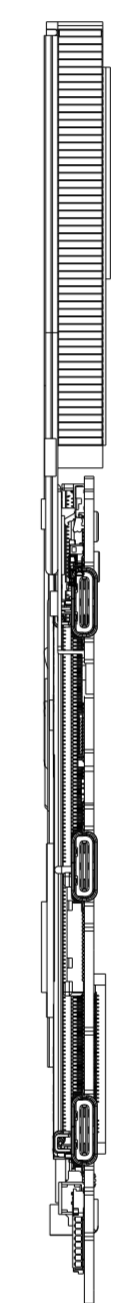
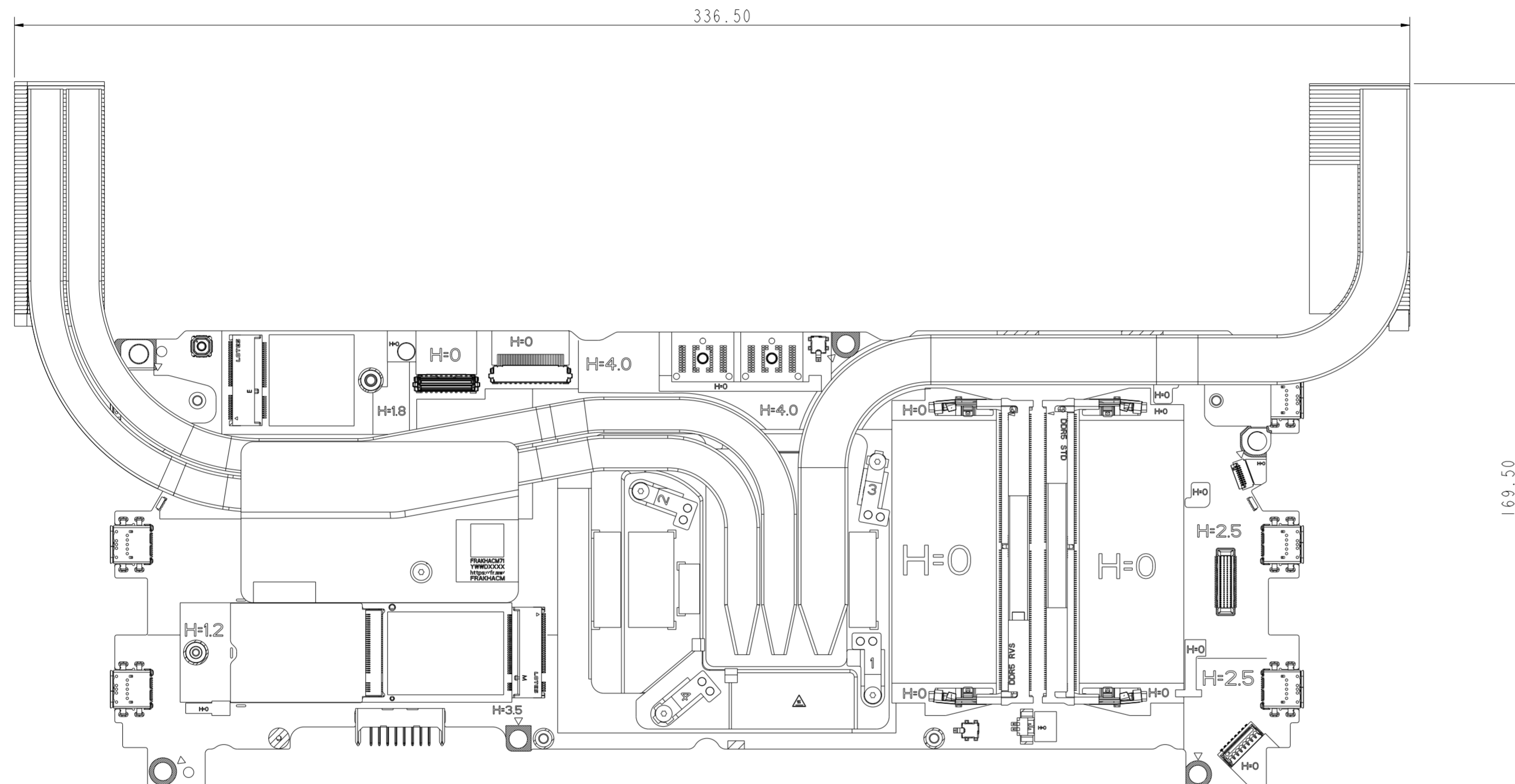


UNLESS SPECIFIED TOLERANCE ARE:

300 ABOVE	: ± 0.20
300 ≥ X ≥ 150	: ± 0.15
150 > X ≥ 50	: ± 0.10
50 > X ≥ 20	: ± 0.075
20mm BELOW	: ± 0.05
ANGLES	: ± 1°
FLATNESS	: ± 0.20
CONCENTRICITY	: ± 0.05

PART NUMBER	DESCRIPTION	SPECIFICATION
Laptop 16	DESIGNED BY	DRAWN BY
MODEL	CHECKED BY	APPROVED BY
THIRD ANGLE PROJECTION	ISSUED DATE	SCALE UNIT
	Jan-30-24	1 mm
	DRAWING FILE NAME	
	Laptop 16 Main Board	
SIZE	SHEET	REVISION VERSION
A2	6 OF 7	0 0

REV	DESCRIPTION OF CHANGE	REV BY	DATE



W/ Thermal module

UNLESS SPECIFIED TOLERANCE ARE:

300 ABOVE	: ± 0.20
300 ≥ X ≥ 150	: ± 0.15
150 > X ≥ 50	: ± 0.10
50 > X ≥ 20	: ± 0.075
20mm BELOW	: ± 0.05
ANGLES	: ± 1°
FLATNESS	: ± 0.20
CONCENTRICITY	: ± 0.05

PART NUMBER	DESCRIPTION	SPECIFICATION
Laptop 16	MODEL	
DESIGNED BY	CHECKED BY	DRAWN BY
ISSUED DATE	SCALE UNIT	
Mar-04-24	1:000 mm	
DRAWING FILE NAME		
Laptop 16 Main Board		
SIZE	SHEET	REVISION VERSION
A2	7 OF 7	0 0

