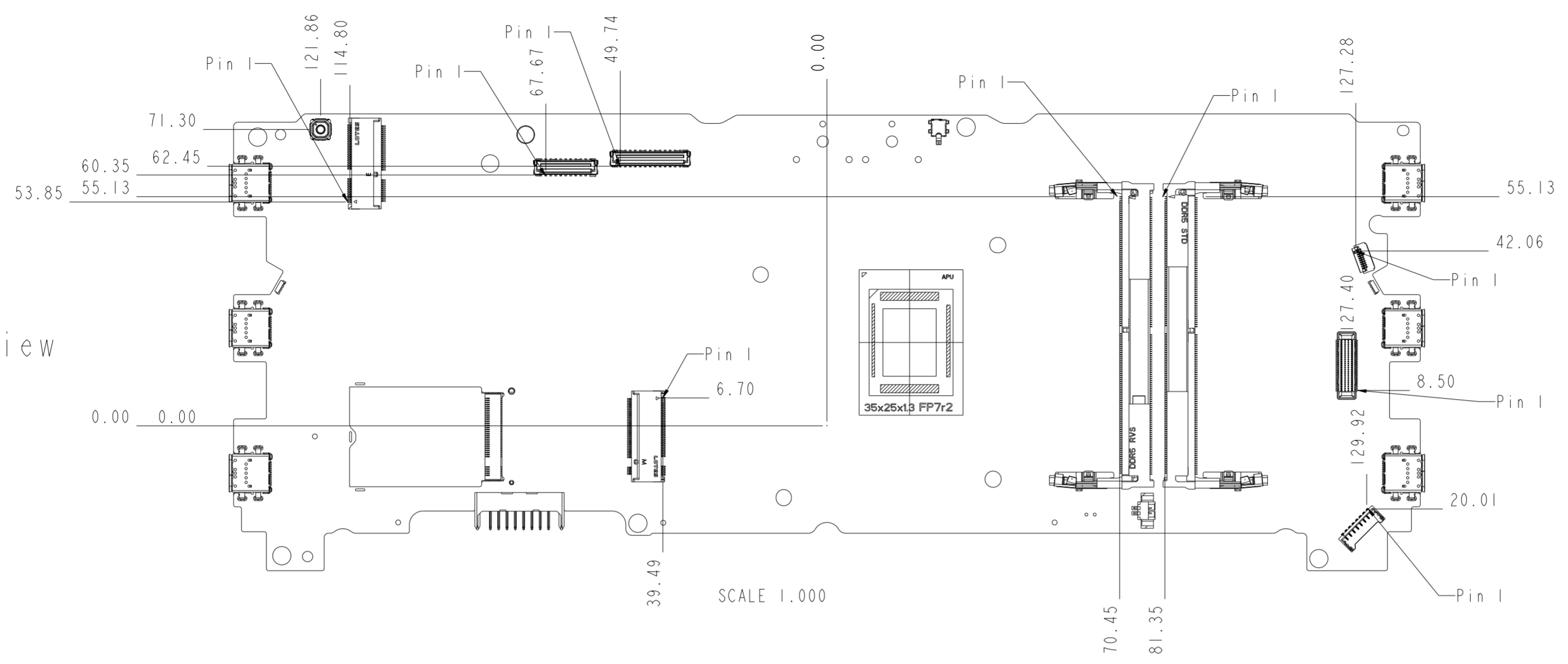
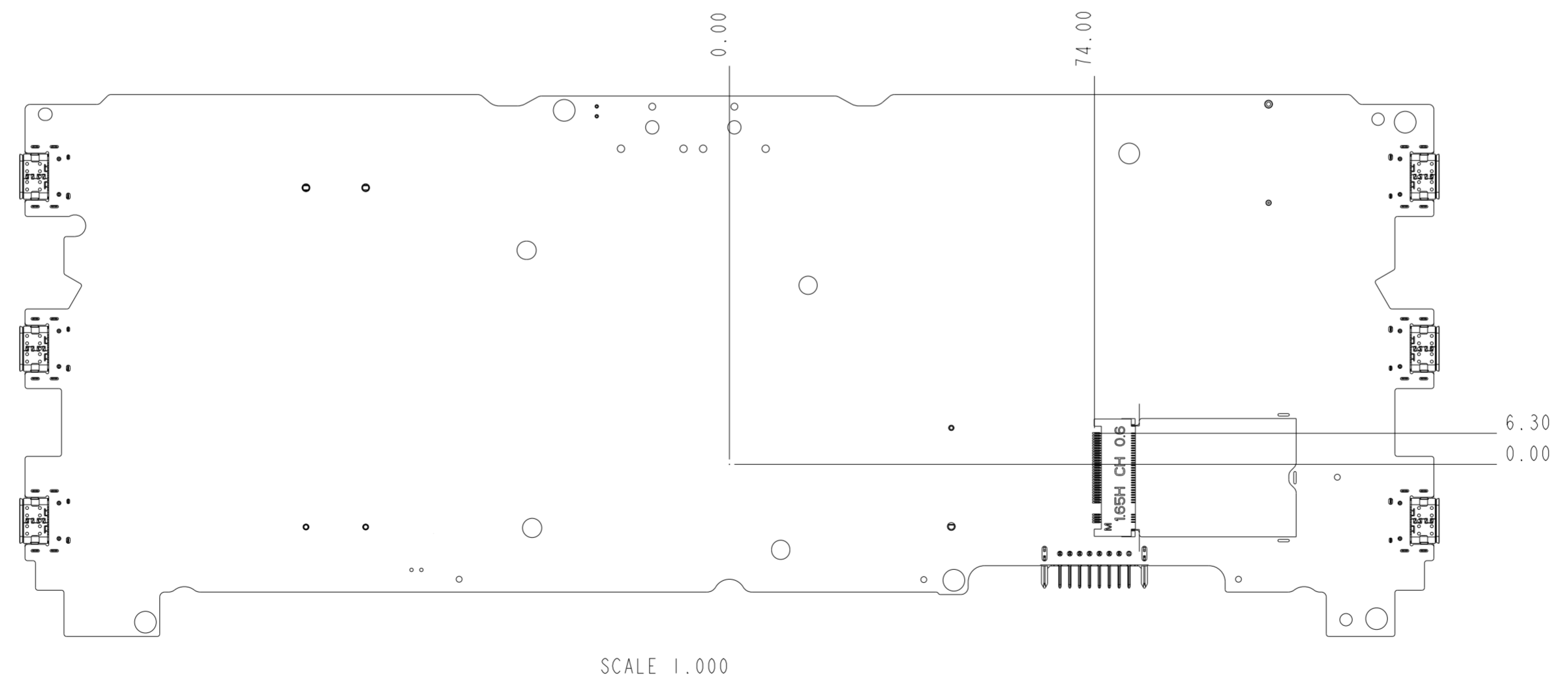


REV	DESCRIPTION OF CHANGE	REV BY	DATE

Top view



Bottom view



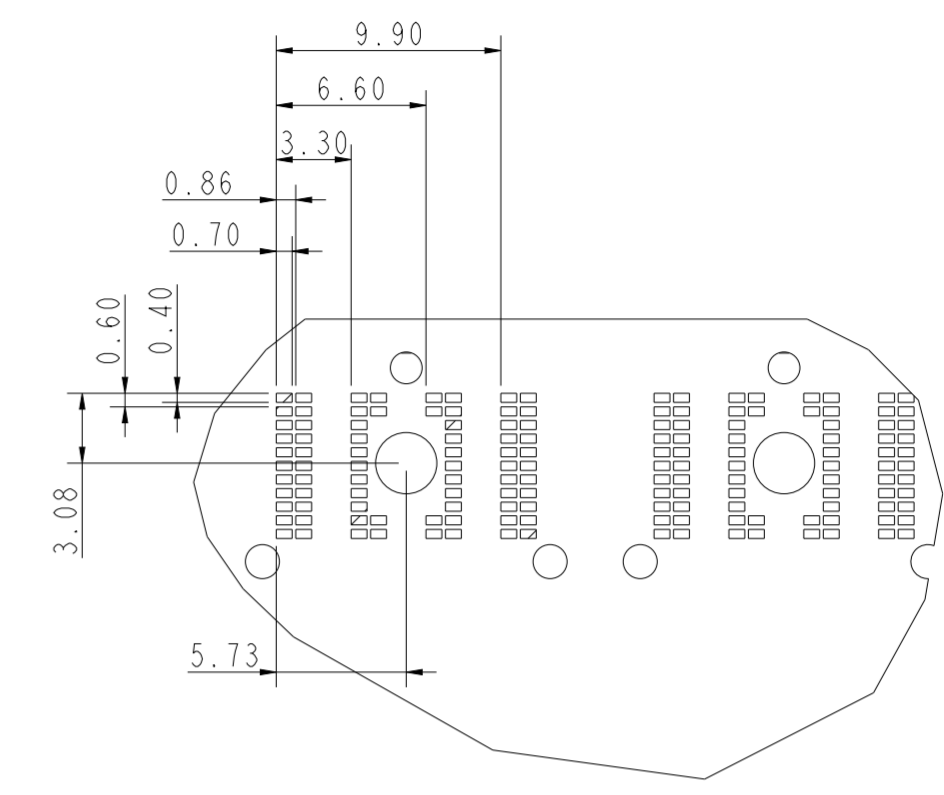
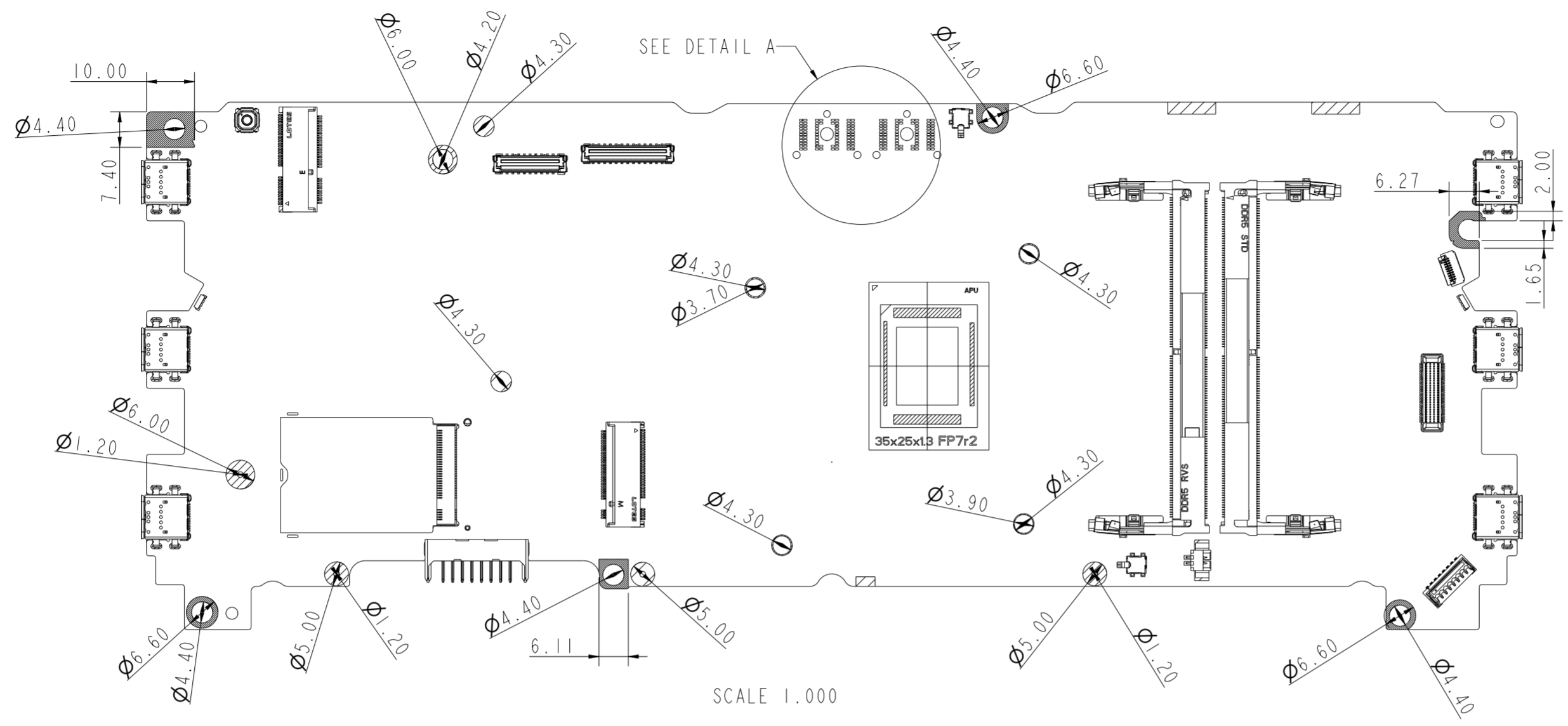
Pin 1 Location

UNLESS SPECIFIED TOLERANCE ARE:
 300 ABOVE : ± 0.20
 300 ≥ X ≥ 150 : ± 0.15
 150 > X ≥ 50 : ± 0.10
 50 > X ≥ 20 : ± 0.075
 20mm BELOW : ± 0.05
 ANGLES : ± 1°
 FLATNESS : ± 0.20
 CONCENTRICITY : ± 0.05

PART NUMBER	DESCRIPTION	SPECIFICATION
Laptop 16	DESIGNED BY	DRAWN BY
MODEL	CHECKED BY	APPROVED BY
THIRD ANGLE PROJECTION	ISSUED DATE	SCALE UNIT
	Jan-30-24	1 mm
	DRAWING FILE NAME	
	Laptop 16 Main Board	
SIZE	SHEET	REVISION VERSION
A2	2 OF 6	0 0

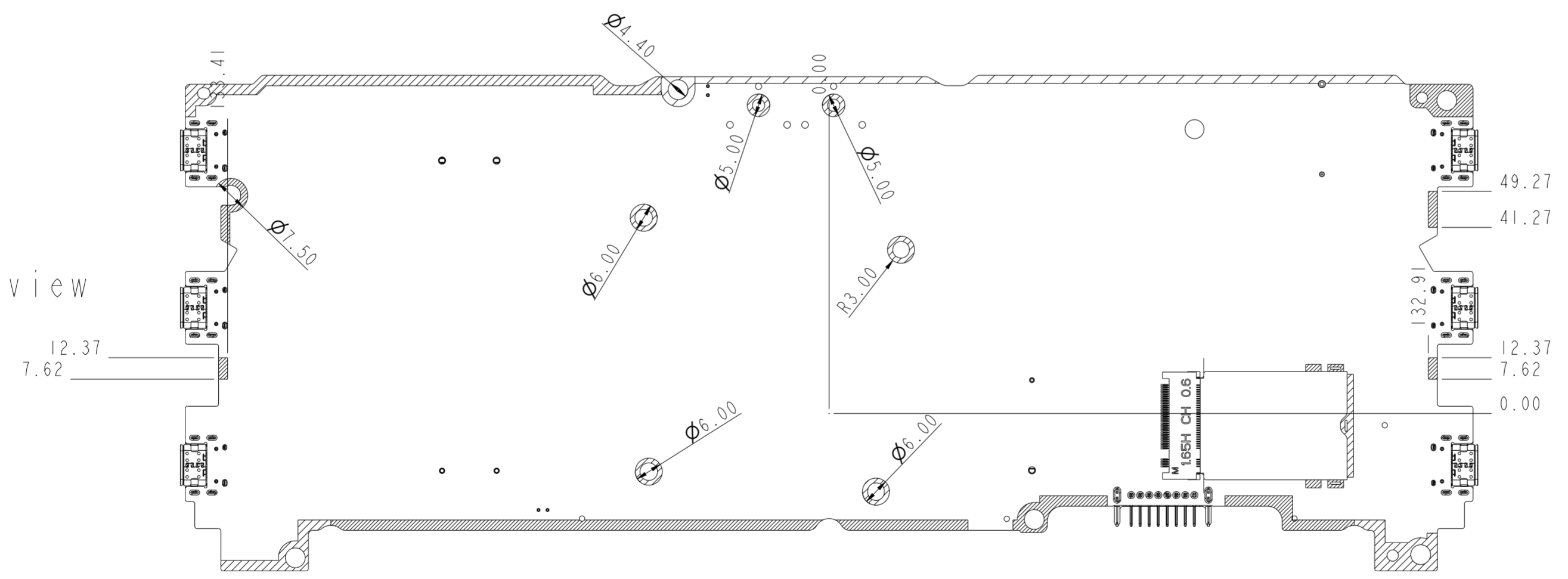
REV	DESCRIPTION OF CHANGE	REV BY	DATE

Top view



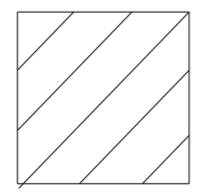
DETAIL A
SCALE 3.000

Bottom view



SCALE 1.000

GND Pad area



UNLESS SPECIFIED TOLERANCE ARE:
 300 ABOVE : ± 0.20
 300 $> X \geq 150$: ± 0.15
 150 $> X \geq 50$: ± 0.10
 50 $> X \geq 20$: ± 0.075
 20mm BELOW : ± 0.05
 ANGLES : $\pm 1^\circ$
 FLATNESS : $\square 0.20$
 CONCENTRICITY : ± 0.05

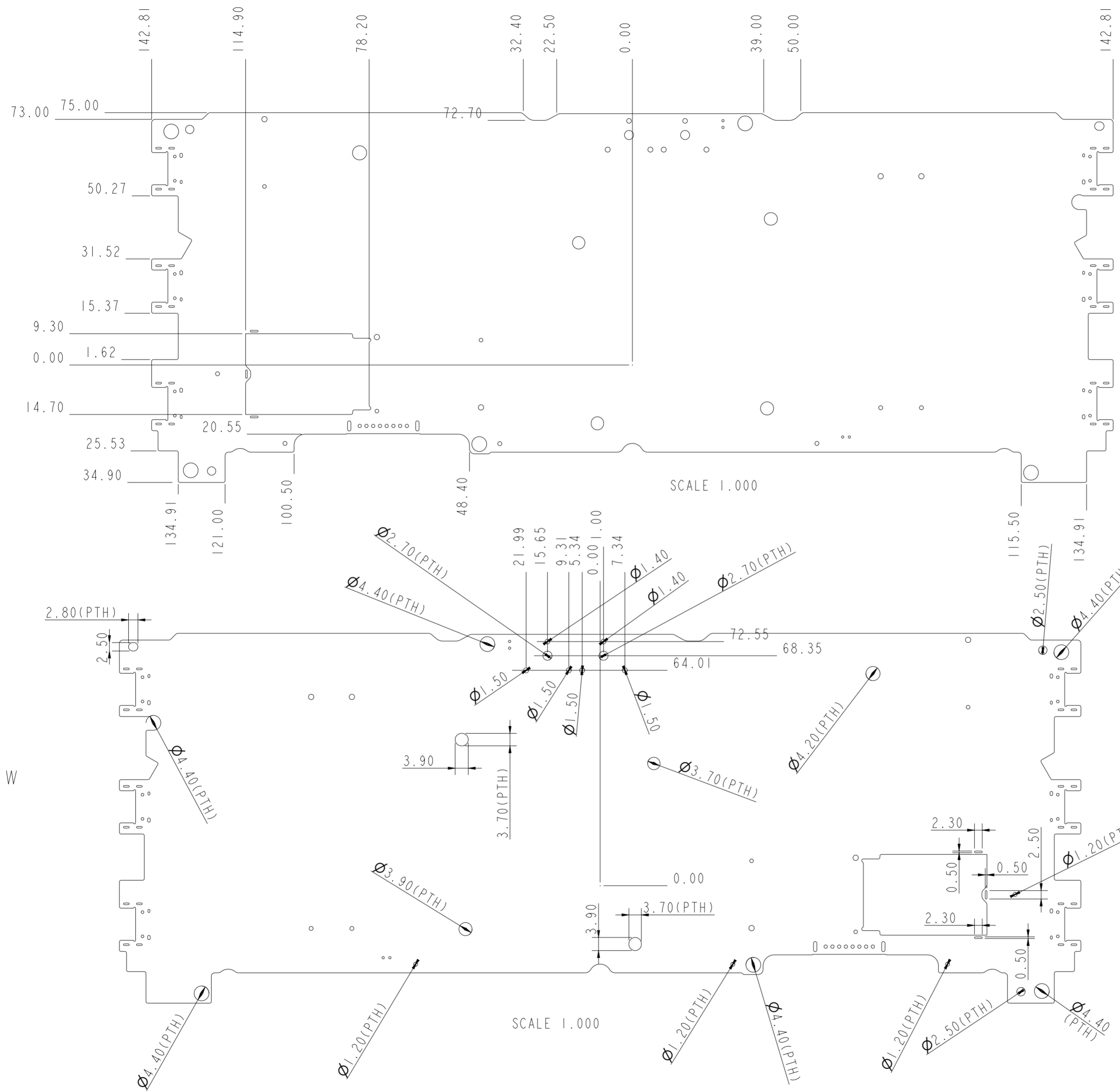
PART NUMBER	DESCRIPTION	SPECIFICATION
Laptop 16	DESIGNED BY	DRAWN BY
MODEL	CHECKED BY	APPROVED BY
THIRD ANGLE PROJECTION	ISSUED DATE	SCALE UNIT
	Jan-30-24	1000 mm
	DRAWING FILE NAME	
	Laptop 16 Main Board	
SIZE	SHEET	REVISION VERSION
A2	4 OF 6	0 0

REV	DESCRIPTION OF CHANGE	REV BY	DATE

Top view

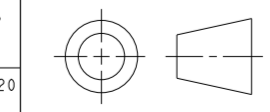
Bottom view

Outline



PART NUMBER	DESCRIPTION	SPECIFICATION
Laptop 16	MODEL	
DESIGNED BY	CHECKED BY	DRAWN BY
ISSUED DATE	SCALE	UNIT
Jan-30-24	1000	mm
DRAWING FILE NAME		
Laptop 16 Main Board		
SIZE	SHEET	REVISION VERSION
A2	5 OF 6	0 0

UNLESS SPECIFIED TOLERANCE ARE:
 300 ABOVE : ± 0.20
 300 ≥ X ≥ 150 : ± 0.15
 150 > X ≥ 50 : ± 0.10
 50 > X ≥ 20 : ± 0.075
 20mm BELOW : ± 0.05
 ANGLES : ± 1°
 FLATNESS : ± 0.20
 CONCENTRICITY : ± 0.05

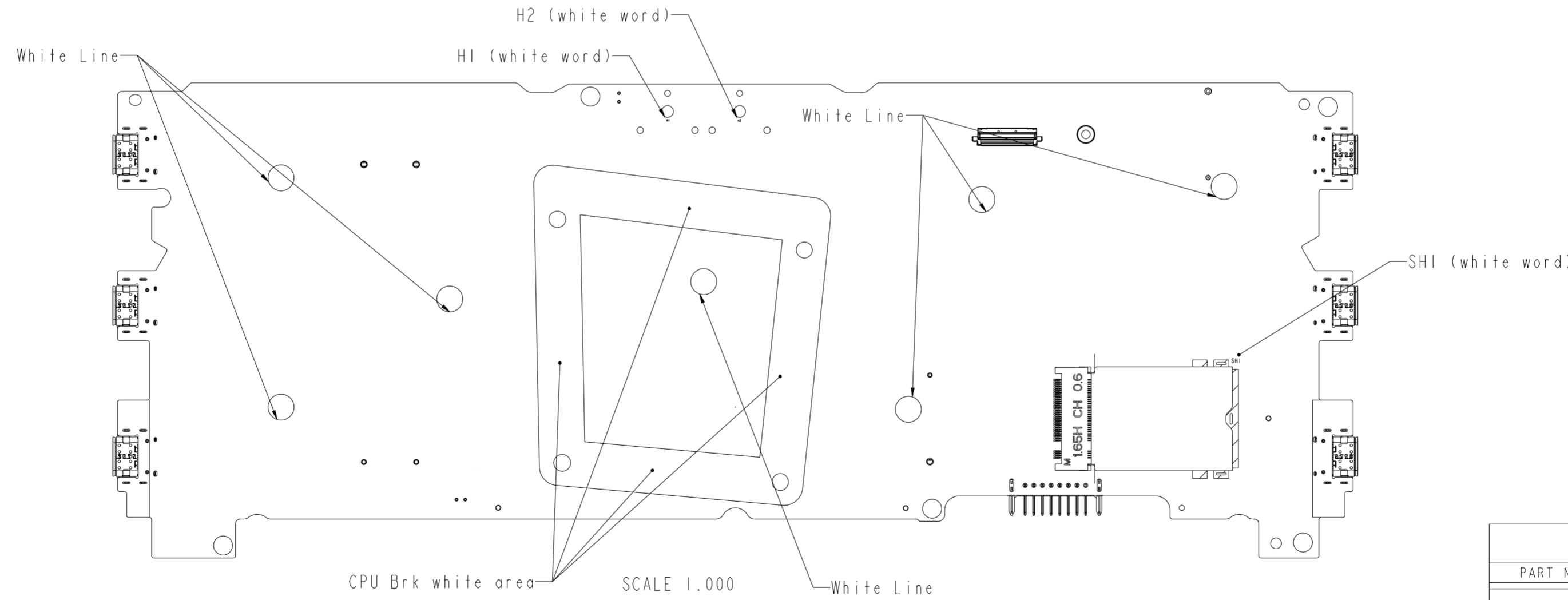
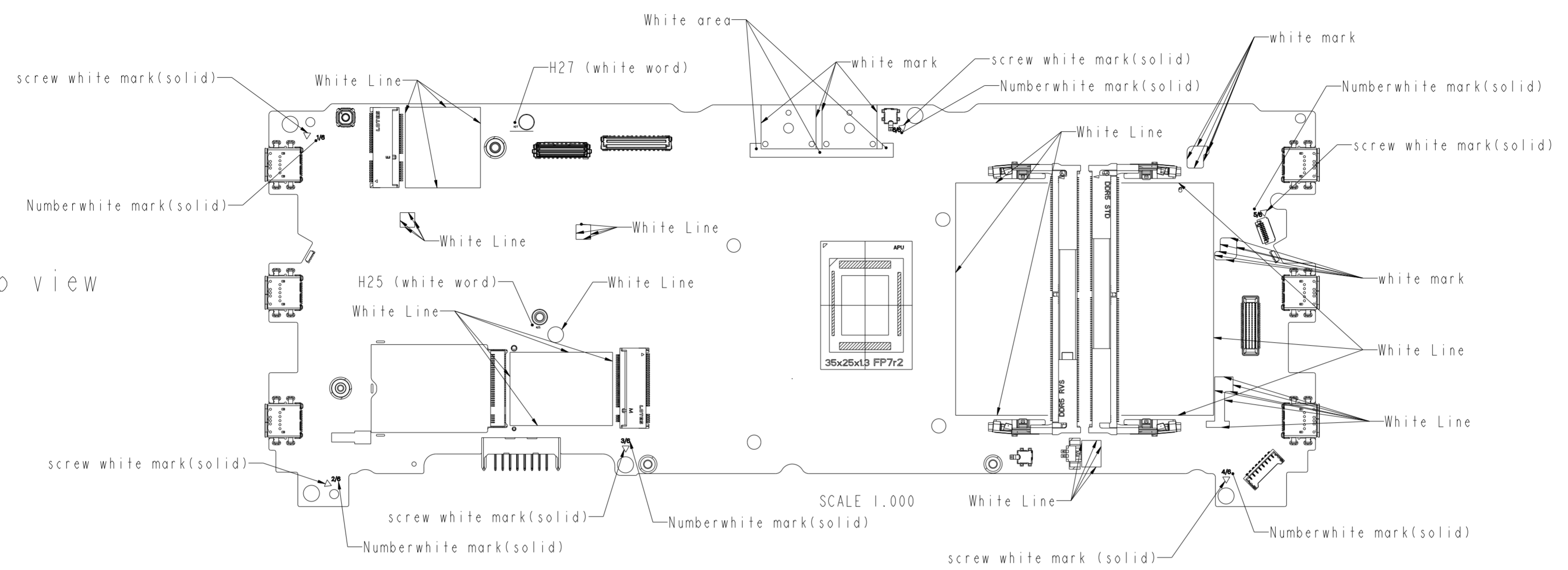


REV	DESCRIPTION OF CHANGE	REV BY	DATE

Top view

Bottom view

White Painting line



UNLESS SPECIFIED TOLERANCE ARE:

300 ABOVE	: ± 0.20
300 ≥ X ≥ 150	: ± 0.15
150 > X ≥ 50	: ± 0.10
50 > X ≥ 20	: ± 0.075
20mm BELOW	: ± 0.05
ANGLES	: ± 1°
FLATNESS	: ± 0.20
CONCENTRICITY	: ± 0.05

PART NUMBER	DESCRIPTION	SPECIFICATION
Laptop 16	MODEL	
DESIGNED BY	DRAWN BY	
CHECKED BY	APPROVED BY	
ISSUED DATE	SCALE	UNIT
Jan-30-24	1	mm
DRAWING FILE NAME		
Laptop 16 Main Board		
SIZE	SHEET	REVISION/VERSION
A2	6 OF 6	0 0

